



Relief Valves Technical Information

Direct Acting

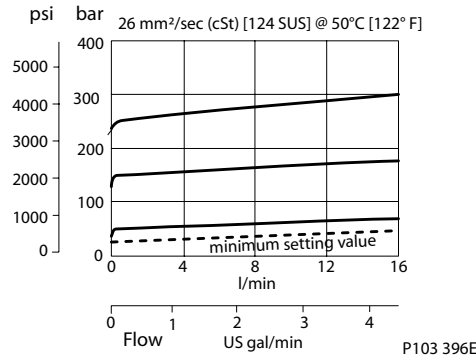
VME 06

OPERATION

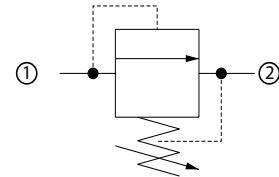
This is a direct-acting, poppet-type relief valve that relieves from 1 to 2. It features a highly damped poppet for smooth and stable response.

SPECIFICATIONS

Theoretical performance



Schematic



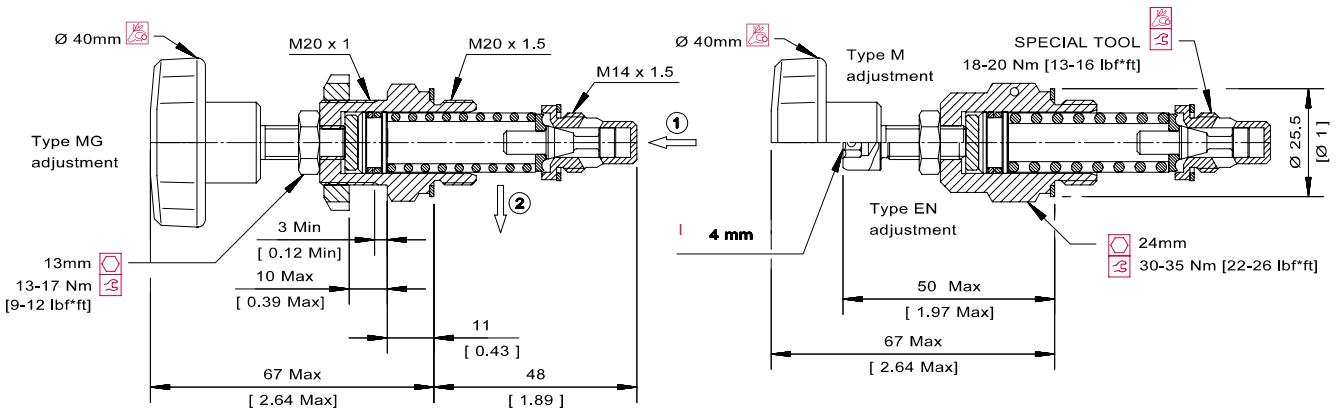
Specifications

Rated pressure	315 bar [4500 psi]
Rated flow	40 l/min [11 US gal/min]
Weight	0.13 kg [0.29 lb]
Cavity	VME06

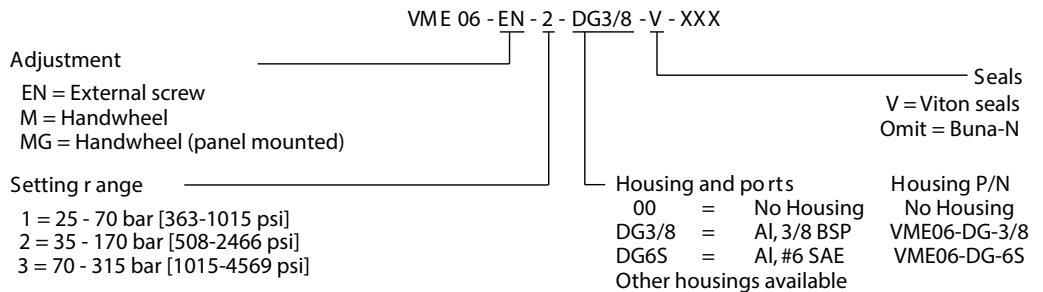
DIMENSIONS

mm [in]

Cross-sectional view



ORDERING INFORMATION



To order this valve with a specific factory setting, contact your Danfoss ICS representative