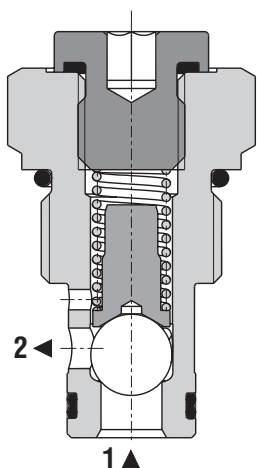


Check Valve, Ball Type

SC1F-B2

7/8-14 UNF • Q_{max} 120 l/min (32 GPM) • p_{max} 420 bar (6100 PSI)



Technical Features

- › Hardened precision parts
- › Sharp-edged steel seats for dirt-tolerant performance
- › Leak-free closing, suitable for fast cycling with long life
- › High flow capacity
- › Optional bias spring ranges for back-pressure control
- › In the standard version, the valve is zinc-coated for 240 h protection acc. to ISO 9227

Functional Description

A hydraulic check valve in the form of a screw-in cartridge for use as a blocking or load-holding device. The cartridge has a ball check which is closed by spring until sufficient pressure is applied at port 1 to open flow to port 2.



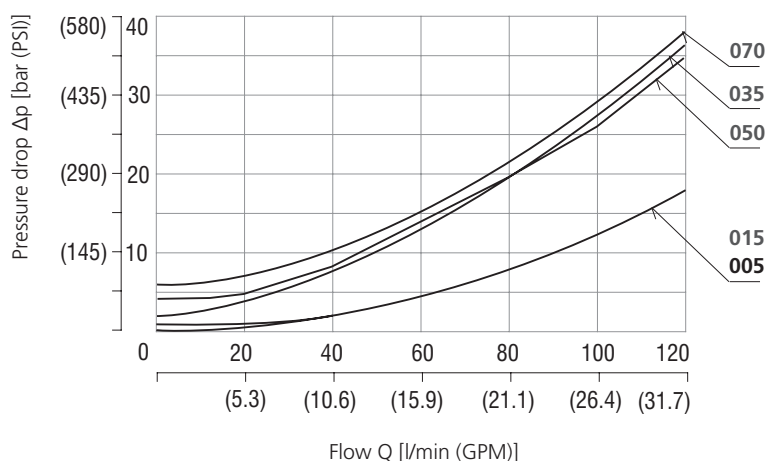
Technical Data

Valve size / Cartridge cavity		7/8-14 UNF-2A / B2 (C-10-2)				
Max. flow	l/min (GPM)	120 (31.7)				
Max. operating pressure	bar (PSI)	420 (6090)				
Cracking pressure	bar	0.5	1.5	3.5	5.0	7.0
	(PSI)	(7.3)	(21.8)	(50.8)	(72.5)	(101.5)
Fluid temperature range (NBR)	°C (°F)	-30 +100 (-22 ... +212)				
Fluid temperature range (FPM)	°C (°F)	-20 +120 (-4 ... +248)				
Mass	kg (lbs)	0.12 (0.27)				

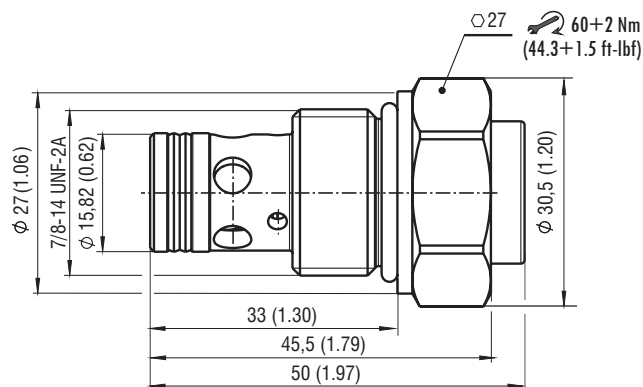
		Datasheet	Type
General information		GI_0060	Products and operating conditions
Valve bodies	In-line mounted	SB_0018	SB-B2*
	Sandwich mounted	SB-04(06)_0028	SB-*B2*
Cavity details / Form tools		SMT_0019	SMT-B2*
Spare parts		SP_8010	

Characteristics measured at $v = 32 \text{ mm}^2/\text{s}$ (156 SUS)

Pressure drop related to flow rate



Dimensions in millimeters (inches)



Ordering Code

SC1F-B2 / H				
Check valve, ball type	Valve cavity 7/8-14 UNF (C-10-2)	High performance	Surface treatment A zinc-coated (ZnCr-3), ISO 9227 (240 h) B zinc-coated (ZnNi), ISO 9227 (520 h)	Seals NBR FPM (Viton)
			No designation V	
			000 002 005 010 015 020 035 050 070	