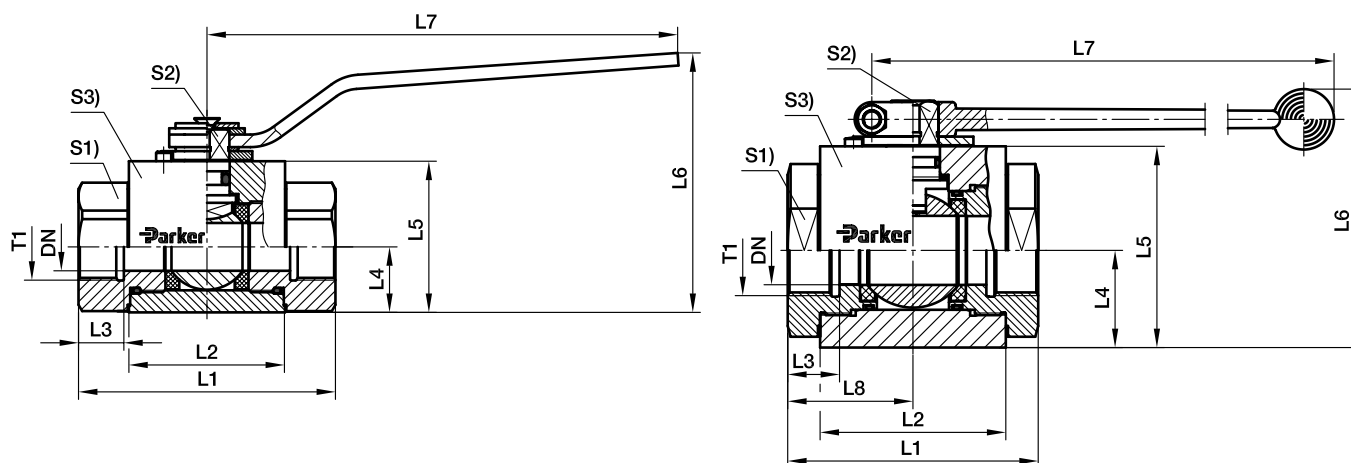


## KH 2-way BSPP ball valve stainless steel

Female BSPP thread (ISO 1179-1) / Female BSPP thread (ISO 1179-1)



T1	DN	L1	L2	L3	L4	L5	L6	L7	L8	S1	S2	S3	Weight g/1 piece	Order code*	PN (bar) <sup>1)</sup> 71
G 1/8	4	69	41	11	13.7	30.0	55	76	-	22	7	30	421	<b>KH1/871x</b>	500
G 1/4	6	75	41	14	13.7	30.0	55	76	-	22	7	30	422	<b>KH1/471x</b>	500
G 3/8	10	86	53	14	18.0	40.0	85	130	-	30	8	40	891	<b>KH3/871x</b>	500
G 1/2	12	92	55	16	21.0	45.0	90	130	-	32	10	45	1093	<b>KH1/271x</b>	500
G 3/4	20	102	62	18	26.0	60.0	103	187	-	46	14	50	1944	<b>KH3/471x</b>	315
G 1	25	112	67	20	28.0	65.0	108	187	-	50	14	55	2200	<b>KH171x</b>	315
G 1 1/4	32	116	86	24	45.0	93.2	174	320	58	70	19	100	5300	<b>KH11/471x</b>	420
G 1 1/2	40	120	92	26	52.2	104.5	185	320	60	80	19	110	7230	<b>KH11/271x</b>	420

<sup>1)</sup> Pressure shown = item deliverable

$$\frac{\text{PN (bar)}}{10} = \text{PN (MPa)}$$

**Delivery without nut and ring. Information on ordering complete fittings or alternative sealing materials see page 17.**

\*Please add the **suffixes** below according to the material/surface required.

Order code suffixes			
Material	Suffix surface and material	Example	Standard sealing material (no additional suffix needed)
Stainless Steel	without	KH1/871X	POM / NBR